

TorsionX
EXTREME BOLTING FORCE™

HYDRAULIC TORQUE
WRENCH SYSTEMS

HEXPRO™ SERIES

LOW PROFILE TORQUE WRENCHES

HEXPRO™ Series Low Profile Wrenches are essential tools for limited clearance applications. The versatile HEXPRO™ Series supports an extensive range of interchangeable hexagon ratchet links that deliver a torque range of 170 ft-lbs. to 30,500 ft-lbs.



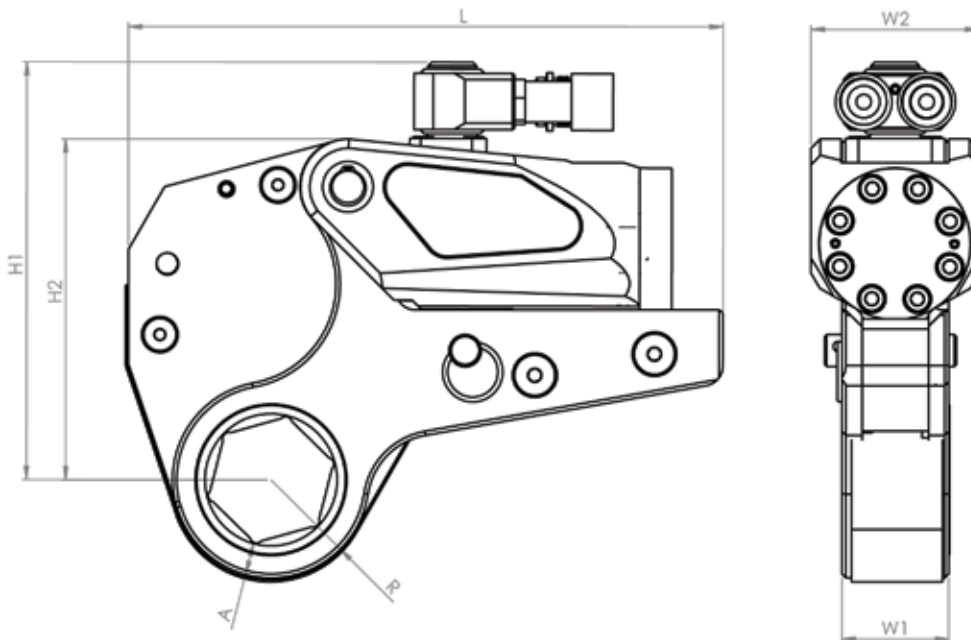
1.844.826.5846

TorsionX.com

SPECIFICATIONS

HEXPRO™ SERIES LOW PROFILE TORQUE WRENCHES

Model	2 HP		4 HP		8 HP		14 HP		30 HP	
Torque (ft-lbs)	170-1,170		430-4,320		800-8,000		1,366-13,660		3,050-30,500	
Bolt (inch)	¾-2 ³ / ₁₆	2¼-2 ³ / ₈	1 ⁵ / ₁₆ -2 ⁹ / ₁₆	2 ⁵ / ₈ -3 ¹ / ₈	1½-3¾	3 ¹³ / ₁₆ -4 ¹ / ₈	2-4 ⁵ / ₈	3 ¹ / ₈ -6 ¹ / ₈	6 ³ / ₁₆ -6 ⁷ / ₈	
Power Head (lbs)	2.25	2.25	4.40	4.40	7.25	7.25	12.10	25.00	25.00	
Ratcheted Link (lbs)	3.50	3.75	9.75	10.00	18.00	19.00	25.00	64.00	66.00	
L (inch)	7.73	7.73	9.65	9.70	11.81	11.85	14.21	16.93	17.36	
H1 (inch)	4.96	5.06	6.97	7.63	8.15	8.50	9.41	11.93	12.40	
H2 (inch)	4.03	4.13	5.34	5.74	6.65	7.01	8.03	10.71	11.22	
W1 (inch)	1.25	1.25	1.65	1.65	2.08	2.08	2.52	3.35	3.35	
W2 (inch)	2.00	2.00	2.60	2.60	3.27	3.27	3.89	5.16	5.16	



TorsionX
EXTREME BOLTING FORCE™

1.844.826.5846

TorsionX.com