

TorsionX
EXTREME BOLTING FORCE™

HYDRAULIC TORQUE
WRENCH SYSTEMS

MAXDRV™ SERIES

SQUARE DRIVE TORQUE WRENCHES

MAXDRV™ Series Square Drive Torque Wrenches offer a compact design, constructed of aluminum-titanium alloy and super high-strength steel alloy for increased strength and durability while minimizing the weight. The MAXDRV™ Series is available in an 82 ft-lbs. to 51,000 ft-lbs. torque range.



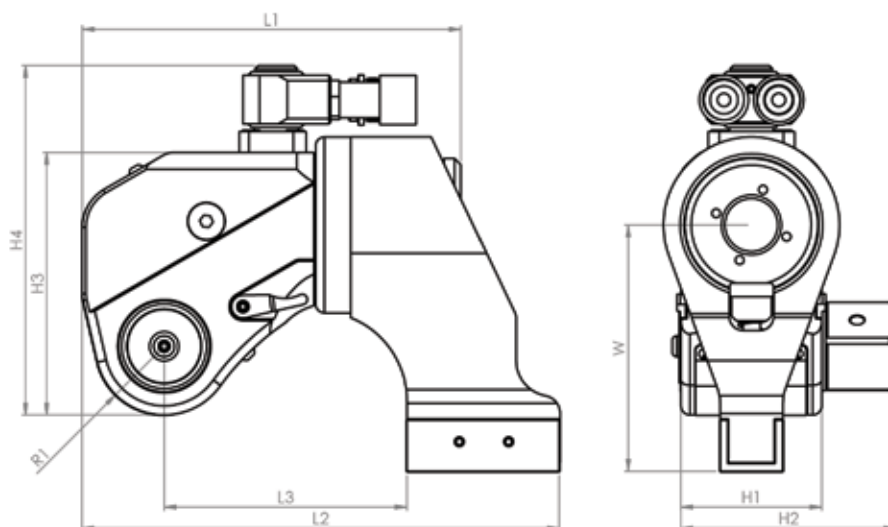
1.844.826.5846

TorsionX.com

SPECIFICATIONS

MAXDRV™ SERIES SQUARE DRIVE TORQUE WRENCHES

Model	.75MD	1MD	3MD	5MD	8MD	10MD	20MD	25MD	35MD	50MD
Torque (ft-lbs)	82-820	128-1,282	325-3,250	555-5,552	750-7,500	1,100-11,000	1,900-19,050	2,455-24,500	3,440-34,400	5,100-51,000
Weight	4 lbs	5.5 lbs	11 lbs	17 lbs	24 lbs	33 lbs	58 lbs.	77 lbs	110 lbs	191 lbs
Drive	.75"	.75"	1.00"	1.50"	1.50"	1.50"	2.50"	2.50"	2.50"	2.50"
L1 (inch)	4.40	5.74	7.07	8.36	8.81	9.74	12.21	12.82	14.79	15.88
L2 (inch)	5.53	6.89	9.09	10.74	11.63	12.60	15.22	15.92	18.48	20.49
L3 (inch)	2.71	3.37	4.49	5.44	6.07	6.11	7.38	7.90	9.57	10.28
H1 (inch)	1.67	1.99	2.70	3.18	3.57	3.97	4.76	5.44	6.07	6.35
H2 (inch)	2.61	2.86	3.77	4.88	5.32	5.64	7.27	7.94	8.58	8.85
H3 (inch)	3.03	3.81	5.04	5.92	6.63	7.23	8.73	9.81	11.20	11.55
H4 (inch)	4.29	5.20	6.99	7.90	8.61	9.21	10.72	11.79	13.18	13.54
W (inch)	2.98	3.63	4.90	5.56	6.55	7.07	8.46	9.05	9.67	10.24
R1 (inch)	0.81	1.02	1.35	1.55	1.87	2.02	2.34	2.62	3.06	3.22



TorsionX
EXTREME BOLTING FORCE™

1.844.826.5846

TorsionX.com